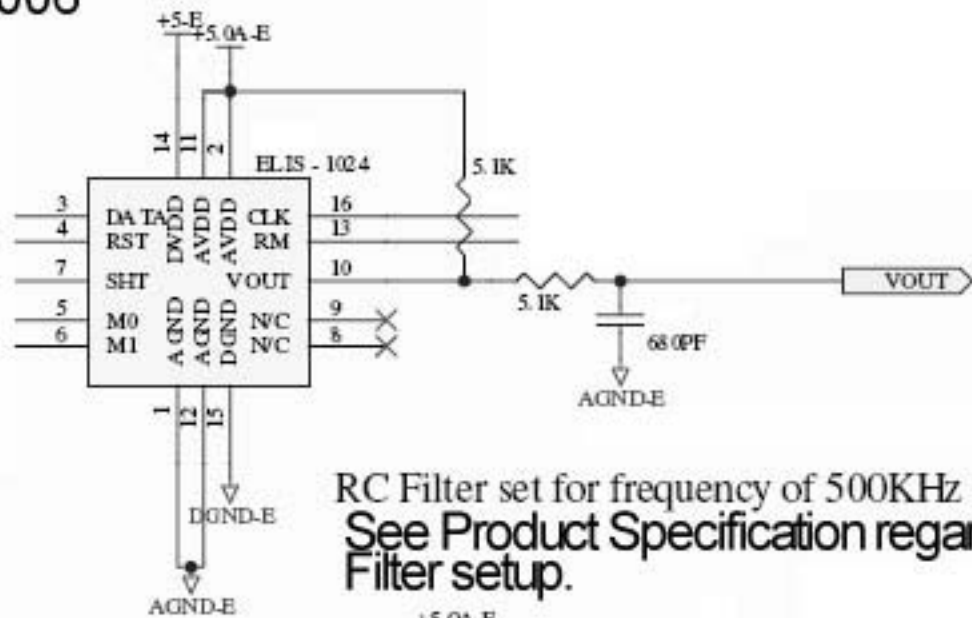
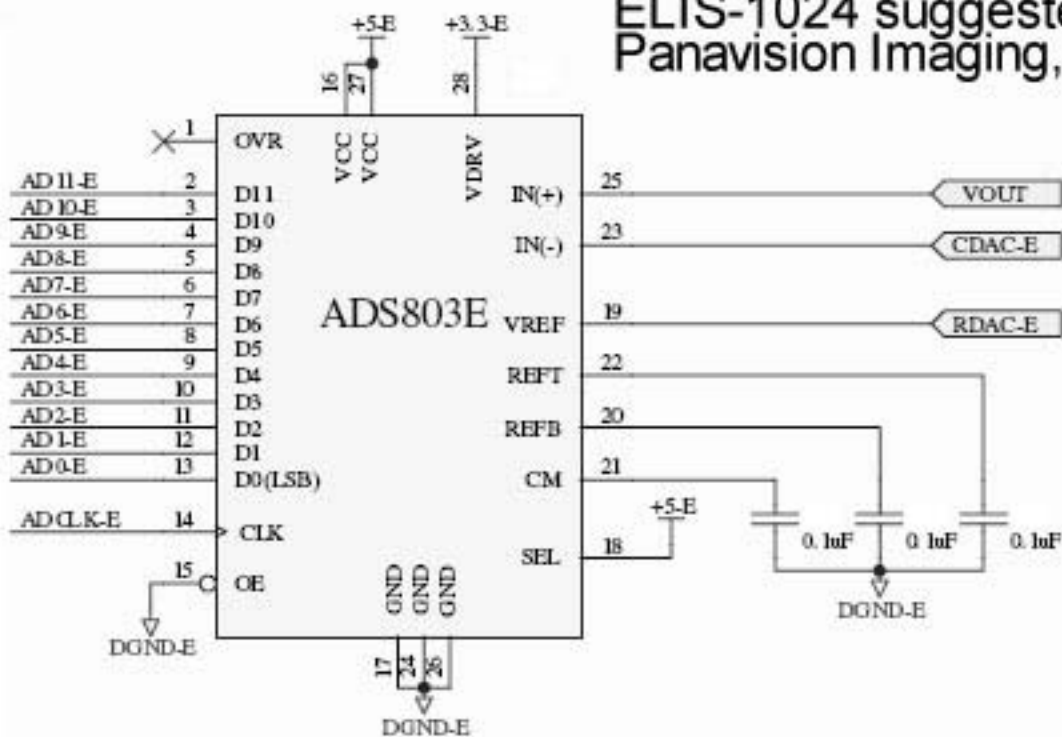
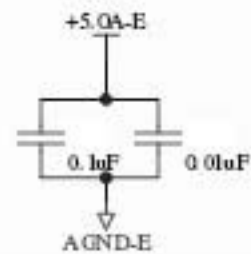
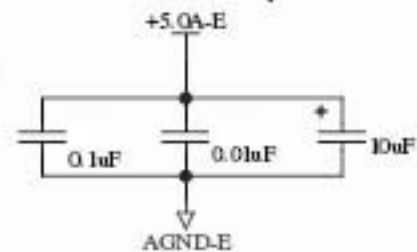


ELIS-1024 suggested Schematic

Panavision Imaging, LLC, 2006



RC Filter set for frequency of 500KHz
See Product Specification regarding Filter setup.



Note: These capacitors must be placed as close to pins 1 and 2 of the ELIS sensor as possible

Note: These capacitors must be placed as close to pins 11 and 12 of the ELIS sensor as possible

Note: This capacitor must be placed as close to pins 14 and 15 of the ELIS sensor as possible

